

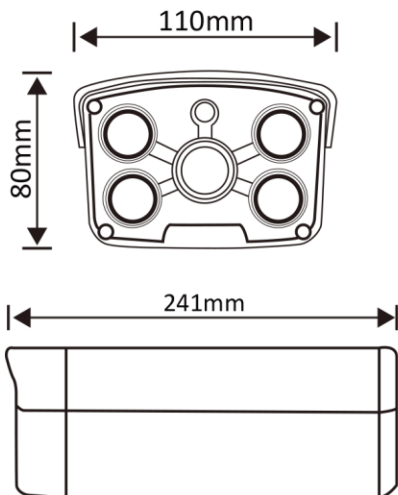
2Mp HD-TVI License Plate Camera



Key Features

- 1/3" Progressive Scan CMOS
- WDR, 2D DNR
- Transmission Distance: 350m
- HD-TVI / CVBS
- 2 Super IR + 2 White Light
- 6~22mm **Motorized** Lens
- Digital Zoom: 1.0x ~ 8.0x
- 12V DC

Dimensions



Specifications

Model	TVI-LPIR2M04VFZWD-622
Image Sensor	1/3" CMOS
Resolution	Digital: 1080P (30fps)
Total Pixels	1956 (H) x 1266(V) Approx. 2.47Mp
Effective Pixels	1944(H) x 1092(V) Approx. 2.12Mp
Shutter Speed	Auto / Manual (1/50 or 1/60 ~ 1/30000 sec)
Min. Illumination	Color: 0.1Lux, B/W: 0.5Lux. Color: 0.017Lux, B/W: 0.0008Lux (DSS On)
Day / Night	Auto / Color / B/W / Extern
Noise Reduction	Off / Low / Middle / High
IR LEDs	2 Super IR + 2 White Light
Transmission Distnace	Over 350M via 75-3 Coaxial Cable
Lens Focal Length	6~22mm Motorized Lens
S/N Ratio	More than 50dB (AGC off)
AGC	0 ~ 20 Steps
Video Output	HD-TVI (1080P) / CVBS
Brightness	0 ~ 20
ACE/WDR	WDR
Monitor	0 / 1 / 2 / 3
OSD Menu	Yes
White Balance	Auto / Auto Ext / Preset / Manual
Digital Zoom	1.0X ~ 8.0X
Defog	On / Off
Privacy Mask	16 Masks
Mirror	On / Off
Ingress Protection	IP66
Working Temp.	-10°C ~ 45°C
Working Environment	-30°C ~ 60°C
Power Supply	DC 12V ± 10%
Power Consumption	1.5A
Dimension	241 (L) x 110 (W) x 80mm (H)
IR LED Weight	1.5KG