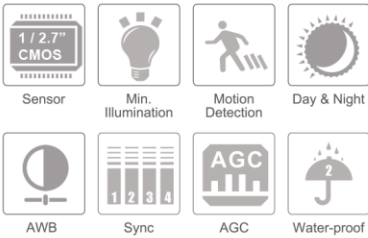
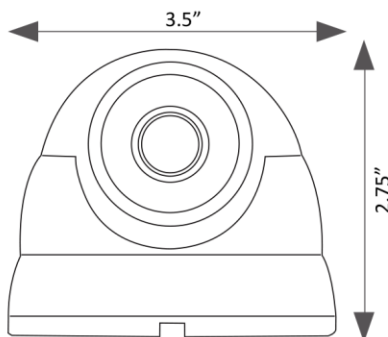


2Mp 4-In-1 TVI/AHD/CVI/960H Camera



Key Features

- 1/2.7" Progressive Scan CMOS
- 2D DNR
- Compatibility: AHD / TVI / CVI / 960H
- IR Distance: 18 ~ 20m
- 24 IR
- 3.6mm Fixed Lens
- 12V DC



Specification

| Model | HAD-IRD2M24-W-S |
|---------------------|---|
| Camera | |
| Image Sensor | 1/2.7" HD Omnivision Sensor |
| Effective Pixels | 1920(H)*1080(V) |
| Electronic Shutter | 1/50(1/60)-1/100,000sec |
| Min. Illumination | 0.lux (LED ON) 0.01Lux(O-3 Lux LED) |
| Lens | 3.6mm fixed lens |
| View Angle | 80°-90° |
| S/N Ratio | >52dB (AGC off) |
| Video Output | compatible with HD-TVI, AHD, CVI,CVBS |
| White Balance | Auto |
| WDR | N/A |
| AGC | support |
| BLC | support |
| DNR | 2DNR |
| Image | |
| Compatibility | TVI / AHD / CVI / 960H |
| Encode Mode | CBR |
| Image Quality | Good |
| Resolution | 1920*1080 |
| Video Frame Rate | 25fps(50Hz),30fps (60Hz) |
| Image Setting | Contrast, Sharpness, Color Gain, DNR , format |
| Functions | |
| Remote Monitoring | N/A |
| Day & Night | Auto / Manual / EXT |
| IR Distance | 18-20m |
| IR LED - count | 24pc |
| OSD Menu | via Coaxial Cable (COC) |
| Protection | IP65 |
| Others | |
| Power supply | DC12V±10% |
| Power consumption | 270mA |
| Working Environment | -20℃~-50℃,-10%~90% (humidity) |
| Dimension | 3.5" x 2.75" |
| Weight | 0.47g |