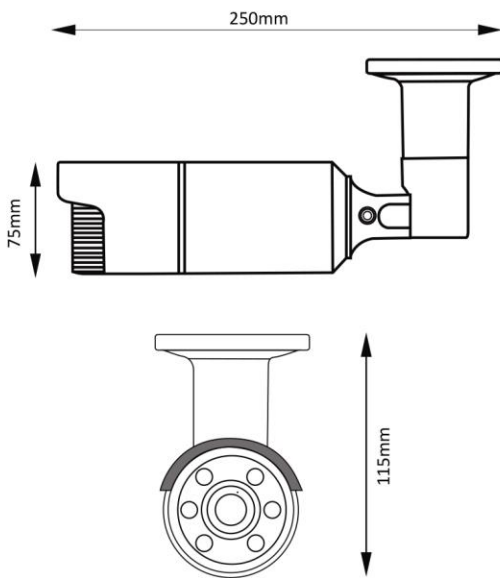


Key Features

- 1/2.7" Aptina CMOS
- Compatibility: AHD / TVI / Analog
- 2D DNR, AGC, BLC
- IR Distance: 50 ~ 60m
- 30fps@1080P
- 6 Super IR
- 2.8~12mm Vari-Focal Lens
- DC 12V

Dimensions



HDA-IRB2M06HVF-G/W

Model	HDA-IRB2M06HVF-G/W
Camera	
Image Sensor	1/2.7" Aptina 2.4 Megapixel Sensor
Effective Pixels	1920(H) × 1080(V)
Electronic Shutter	PAL: 1/50s~1/100,000s NTSC: 1/60s~1/100,000s
Min. Illumination	0.01Lux @ F1.2, (0Lux IR on)
Lens	2.8-12mm
View Angle	100°-30.8°(H), 64.5°-23.3°(V)
S/N Ratio	≥45dB(Max 70 dB)
Video Output	1.0Vp-p
White Balance	Auto adaptive(Range 2200~10000K)
WDR	N/A
AGC	Automatic / manual
BLC	Automatic / manual
DNR	2D
Image	
Compatibility	AHD / TVI / Analog
Encode Mode	CBR
Image Quality	Not adjustable under CBR
Resolution	1080P (1920×1080)
Video Frame Rate	PAL: 25fps@1080P NTSC: 30fps@1080P
Image Setting	Brightness, Contrast, Sharpness, DNR, Color gain, exposure, mode etc.
Functions	
Remote Monitoring	By monitoring the video recorder
Day & Night	Auto / Color / BW / EXT
IR Distance	50-60m
IR LED - count	Ø16 X 6 IR
OSD Menu	Yes
Protection	IP66
Others	
Power supply	DC12V±10%
power consumption	700mA
Working Environment	- 30°C ~ +60°C
Dimension	(250 x 75 x 115mm)
weight	0.65KG